

## Timing Belt Replacement

1. Remove the motor.
2. Lower the quill to full extent.
3. Remove the two lower cap screws "M", Figure 3.4, from the speed changer housing.
4. Remove the four cap screws "N".
5. Remove the top assembly "O", and tap to clear dowels.
6. Replace the belt.

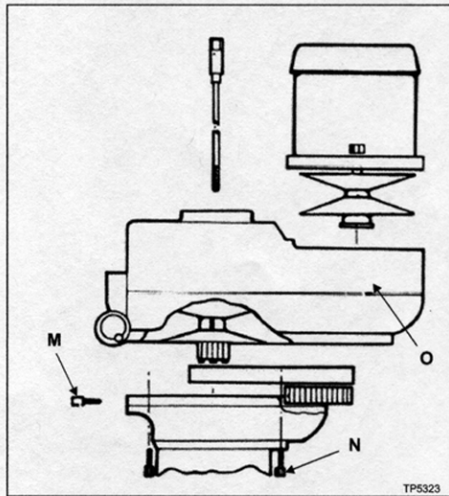


Figure 3.4 - Timing Belt Replacement